

USER INSTRUCTIONS

NRS 3 WHEEL ROLLATOR RANGE

M85577	Blue with basket/tray	M79826	Blue with basket/tray (2 pack)
M99126	Blue with no basket/tray (2 pack)	M91139	Red with basket/tray
M91127	Red with basket/tray (2 pack)		

⚠ General Safety Warning ⚠

Please make sure that you read and follow these instructions carefully. Keep these instructions in a safe place for future reference.

1. INTENDED USE

The NRS 3 Wheel Rollator comes complete with Bag, Basket and tray and is designed to provide support and assistance to those unable to, or who lack the confidence to, walk without some level of support. This rollator is intended for indoor and outdoor use.



2. SAFETY

Warning: The maximum user weight must not be more than 127Kg (20st).

Ensure Rollator is locked open before use.

Check the brakes before use.

Only use the rollator as a walking support.

Do not use the rollator on stairs or an escalator.

Exercise caution when there is a heavy load in the bag (max. 5Kg) or basket /tray (max. 5Kg).

Loads should only be transported using the bag or basket/tray (where fitted). Do not hang heavy items from the handles as this may affect the stability of the Rollator.

Do not use the rollator to walk backwards.

Caution must be taken when negotiating curbs and other obstacles, or when using on sloping, uneven or slippery surfaces. Failure to do so may result in a serious risk of a fall or injury.

Maximum User Weight



Do not perform any adjustments to the rollator while it is in use.

Wheels must be in contact with floor at all times.

When using the rollator in a stationary position, the brakes must be locked.

3. UNPACKING

Remove the packaging and check all parts carefully. Contact your supplier immediately if parts are missing or damaged and do not try and assemble.

3.1 Contents:

1. Rollator Frame with braked handles x 1
2. Basket with lid/tray x 1
3. Bag x 1
4. Hand wheels with: bolts/plastic washers x 2
5. Basket Hook Locators x 2
6. User Instructions x 1

4. ASSEMBLY/INSTALLATION

Note: Before assembly consult a suitably qualified healthcare professional regarding the correct height adjustment for maximum support; and correct brake activation.

1. Open the Rollator into operating position (see overleaf).
2. Fit the Basket Hook Locators onto the handlebar tubes as shown in Diagram 1 on the next page.
3. Insert the Handlebars into the framing tubes and set to the correct height as follows;
 - Stand upright behind the rollator with your shoulders relaxed and your arms by your side, looking straight ahead.

- In this position, the handgrips of the rollator should be adjusted to a height level with your wrists.

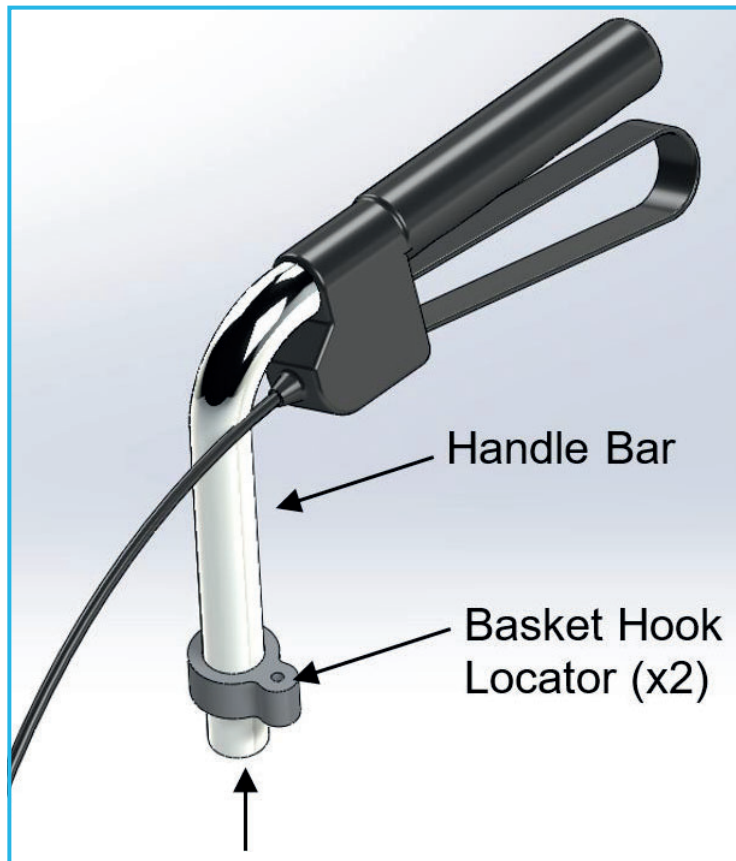


Diagram 1:

- This will position your arms at an approximate 20° to 30° bend when using the rollator.
- Check that the holes in the handle bars and the frame are aligned.
- Place the supplied bolt through the aligned holes in the handlebar and frame. The holes in the frame are hexagonal in shape to accommodate the head of the bolt.
- Place the washer over the bolt and then apply the hand nut. Hand-tighten firmly, but do not over tighten.

4. Check the brakes thoroughly before use.

Note: *The brakes are factory set, and if assembled correctly do not need adjusting. To check; Apply and release the parking brake on each side 10 times (see diagram 5b).*

The brake should grip the wheel and prevent any movement when applied, when released, the gap between the brake and the wheel should be between 1 to 3 mm. If either of the above conditions is not correct adjust the brakes as detailed in the maintenance section, and re-check.

5. Fit the bag to the frame as shown in the photograph on page 1 using the poppers to fasten.
6. Fit the basket by fitting the hooks on the basket into the hook locators as shown in diagrams 2 & 3.

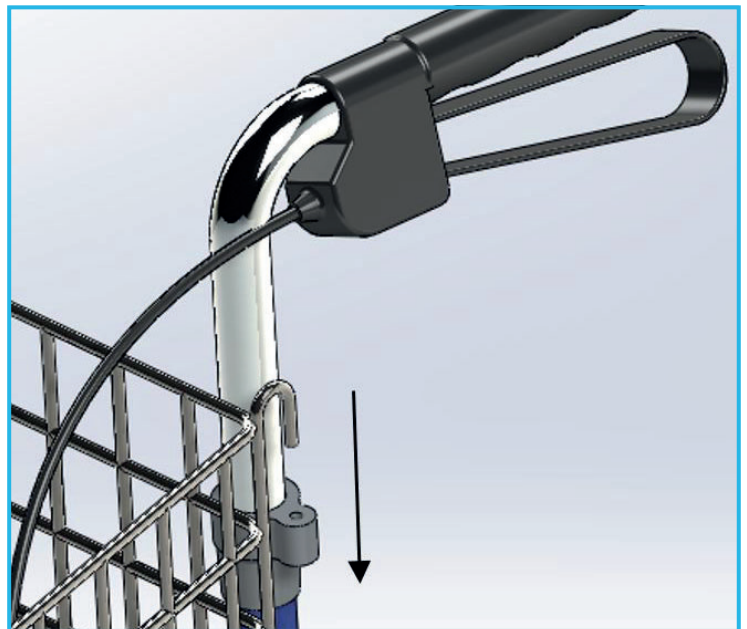


Diagram 2:



Diagram 3:

5. IN USE

5.1 Opening:

Fold out the Rollator and push down the cross bar fully. (See Diagram 4a).

Note: *It is very important that the crossbar is pushed fully down to prevent the Rollator folding during use.*

Fit basket/tray in correct position (if provided).

5.2 Folding:

Remove basket (if present) and pull up the cross bar. (See Diagram 4b) The Rollator will then close inwards for storage. Take care to keep fingers out of frame when folding. The bag should be empty before folding.

5.3 Walking:

This unit is to be used as a mobility aid, creating a natural gait as the user walks securely with their primary weight distribution between the handlebars and with the unit in front of the user.

5.4 Braking:

The locking brakes are intended to assist the user to control the Rollator. To apply the brakes when in motion, pull up both of the loop handles. (See diagram 5a).

To apply the parking brakes, push down the handles until they lock down. A distinct click indicates that the brake is in the correct position. (See Diagram 5b) It is important that both the brakes are put in the parking position when they are to be used. Lift up the handle to release.

If you apply the parking brakes, or pull up the brakes to stop whilst moving, and the rear wheels on the rollator still move, stop use immediately. Do not use again until the brakes have been checked and correctly adjusted. Refer to the maintenance section.

6. MAINTENANCE

- Regularly check for wear and tear and that all screws and knobs are securely fastened.
- Check brakes are working satisfactorily by both walking and squeezing the brakes and by braking to a stop.
- Check the parking brakes by pushing the handles into the locked position, and then trying to push the rollator.
- If the brakes do not completely lock the wheels the brakes need to be adjusted, as detailed below.

6.1 Brake Adjustment:

- The brake adjusters are situated in front of the brake handles, as shown in diagram 6. To adjust, loosen the lock nut, turn the adjuster anticlockwise to tighten the brake then retighten the lock nut.
- For correct adjustment the brake mechanism should not touch the wheel, but the gap should be no greater than 3mm.
- Caution: After making any adjustments to the brakes, you must test them before the rollator is used.
- If adjustment does not tighten the brakes, do not use the rollator. Contact your dealer or NRS Customer services, details below.

7. CLEANING INSTRUCTIONS.

Clean regularly, wipe down with a soft, non abrasive cloth.

Ensure there is no build up of dirt or debris around the axle, brakes and wheels.

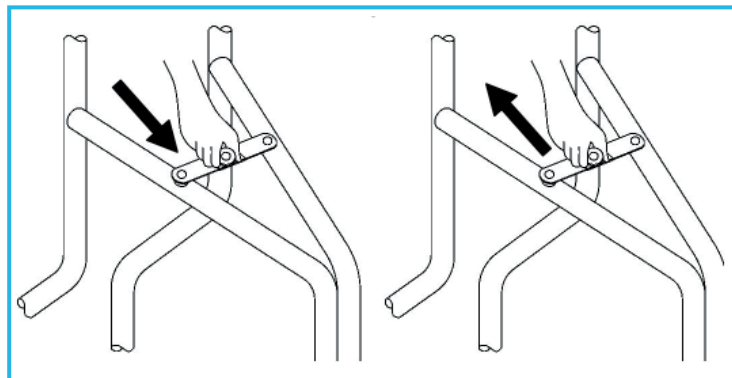


Diagram 4a

Diagram 4b

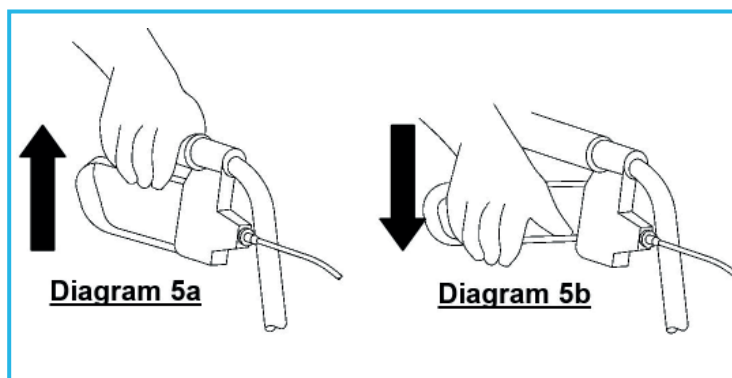


Diagram 5a

Diagram 5b

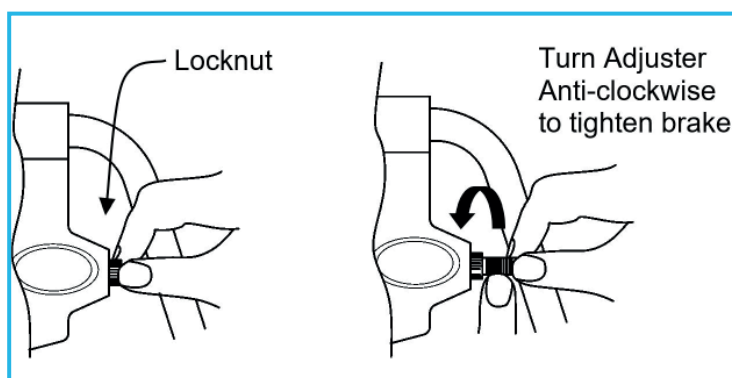


Diagram 6: Brake Adjustment

8. PRODUCT GUARANTEE

NRS Healthcare guarantee this product for a period of 12 months, from the date of purchase, against faulty materials and workmanship.

This guarantee does not cover; fair wear & tear, abuse, misuse, interference or tampering with any part of the product.

Any guarantee issued by NRS Healthcare does not affect your statutory rights.

If you have any problems with our products, please contact us at the address below.

If you have experienced an injury, contact us but feel free to contact the Medical and Healthcare products Regulatory Agency at:

devices.regulatory@mhra.gov.uk



NRS HEALTHCARE Sherwood House,
Cartwright Way, Forest Business Park, Bardon
Hill, Coalville, Leicestershire, LE67 1UB, UK.



NRS HEALTHCARE 4C Altona Road, Blaris
Industrial Estate, Lisburn, Co Antrim,
Northern Ireland BT27 5QB

Tel: Customer Services: 0345 121 8111

Email: customerservice@nrshealthcare.co.uk

NRS Healthcare is a leading supplier of community equipment and daily living aids.

Please visit one of our websites to view our full range of products:

www.healthcarepro.co.uk or www.completecareshop.co.uk